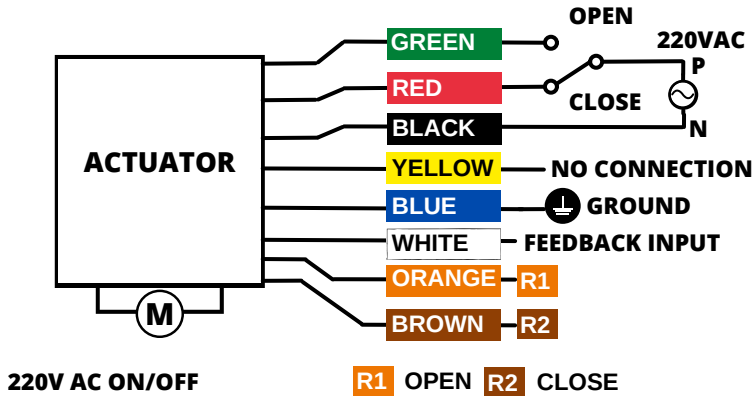


# INSTRUCTION MANUAL

## CIRCUIT



## 220V AC FLOATING TYPE WITH POTENTIAL FREE FEEDBACK

### WORKING METHOD

#### For Standard Open and Close Function

Operating Voltage for the valve is 220V AC

Black to be connected to Neutral of the 220V AC Power supply

To Open the valve, Green wire has to be connected to 220V AC Phase

To Close the valve, Red wire has to be connected to 220V AC Phase

Note: At a time both Red and Green should not be connected to 220V AC Phase.

Since this is a floating type actuator, as long as the power is given to any direction, the valve rotates and stops when power is removed.

Also during the time when the full close or full open limits are triggered internally thru limit switch the motor stops.

Note: When the power is cut the valve stays in the last position.

White is the Feedback Input

Orange and Brown are Feedback Outputs (NO) for Open and Close position of the Valve resp.

### CAUTION

1) OPERATION OF MANUAL HANDLE DURING ELECTRICAL POWER SUPPLY WILL DAMAGE THE VALVE (MANUAL OVERRIDE MODEL ONLY)

2) DO NOT INSERT YOUR FINGERS / ANY OTHER OBJECTS IN THE ROTATING BALL OR DISC OF THE VALVE. IT MAY CAUSE INJURY TO YOU AS WELL AS DAMAGE THE PRODUCT.

### MAINTENANCE

No special maintenance is required for the product.

Use soldered joints or crimps for wiring the connections to power supply

for more details and videos, scan here

